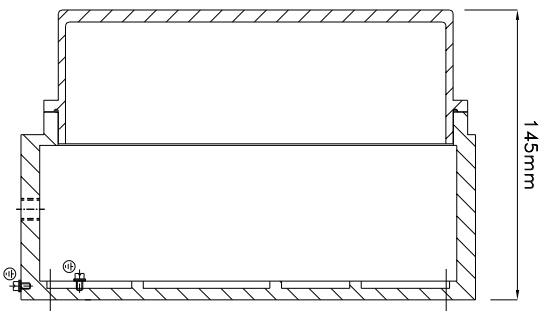


FRONT VIEW



SIDE VIEW

- Reference IS/IEC Standard as follows :
- 1 - FLAMEPROOF (Ex d) PROTECTION - IIA/IIb, IS/IEC 60079-1 (2014)
 - TEMPERATURE CLASS - T6
 - 2 - INGRESS (IP) PROTECTION - IP-66, IS/IEC 60529 (2001). (Reaffirmed 2014)

Standard Specification :

- 1 - MATERIAL - CAST ALUMINIUM ALLOY
- 2 - FINISH - INSIDE & OUTSIDE LIGHT GREY EPOXY POWDER COATING SHADE No. 631 AS PER IS-5
- 3 - EARTHING - 1 No. INSIDE & 2 Nos. OUTSIDE M6 SIZE S.S./BRASS SCREWS WITH 2 Nos. PLAIN WASHER
- 4 - HARDWARE - STAINLESS STEEL
- 5 - GASKET - 'O' RING NEOPRENE RUBBER GASKET
- 6 - MOUNTING ARRGT. - AS SHOWN IN DRG.

Material / Components Specification :

- 1 - S.S. NAME CUM WARNING PLATE (WITH DESCRIPTION TITLE, CIMFR, PESO, SR. NO., GAS GROUP, RATING, BIS MARKING, WARNING STATUS, etc...)
- 2 - INTERNAL SIZE OF ENCLOSURE (BODY+COVER) - 360 x 300 x 115mm
- 3 - M.S. PLATE WITH WHITE EPOXY POWDER COATING WILL BE PROVIDED OF SIZE : $\phi 270 \times 2\text{mm}$ Thk. (ENCLOSURE OPENING $\phi 290\text{mm}$)
- 4 - TERMINALS - CLIP-ON / BUSBAR TYPE TERMINALS OF 'CONNECTWELL/ ELMEX' MAKE (DETAIL TO BE SPECIFIED BY CUSTOMER)
- 5 - CABLE GLAND - (Ex d) DOUBLE COMPRESSION TYPE CABLE GLAND OF 'SUDHIR' MAKE
- 6 - STOPPING PLUG - (Ex d) STOPPING PLUG OF 'SUDHIR' MAKE

Fitting OPTIONS :

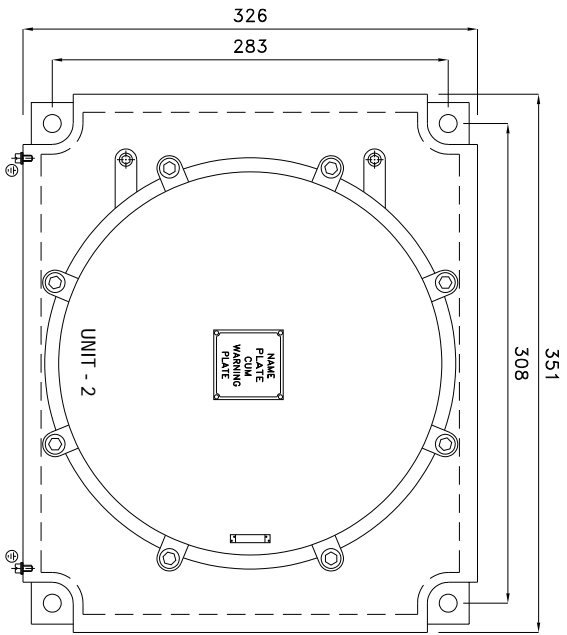
- 1) MATERIAL CONSTRUCTION : STAINLESS STEEL
- 2) VOLTAGE : 415V AC
- 3) CABLE GLAND & PLUG : BRASS/S.S./ALUMINIUM
- 4) PAINT SHADE : 632/356/7031/7032, etc... (As per Standard)
- 5) CANOPY : M.S. / G.I. / FRP
- 6) INTERNAL COMPONENTS : CU./AL. BUSBAR
- 7) AMP. RATING : UP TO 200 Amp. (MAX.)
- 8) CABLE ENTRIES : LEFT / RIGHT / TOP / BOTTOM SIDE
- 9) ENCLOSURE EXTERNAL SIZE : 386(W) x 326(H) x 145/185/235/285mm
- 10) ENCLOSURE INTERNAL SIZE : 360(W) x 300(H) x 115/155/205/255mm

NOTE :

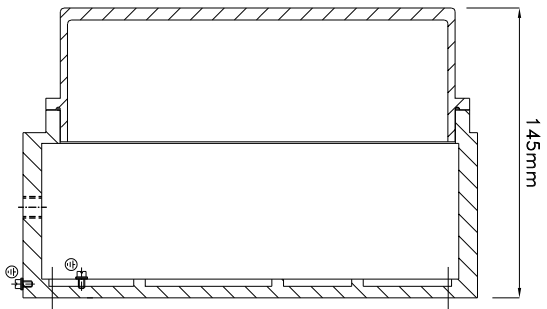
COMPONENT LAYOUT IS TENTATIVE RELOCATION OF PARTS & COMPONENTS IS POSSIBLE AT THE TIME OF ACTUAL MANUFACTURING.

OVERALL DIMENSIONS ARE $\pm 10\text{mm}$

<p>NOTE :</p> <p>COMPONENT LAYOUT IS TENTATIVE RELOCATION OF PARTS & COMPONENTS IS POSSIBLE AT THE TIME OF ACTUAL MANUFACTURING.</p> <p>OVERALL DIMENSIONS ARE $\pm 10\text{mm}$</p>		<p>CAT. No.</p> <p>RCP/215</p> <p>MODEL No.:</p> <p>RCP/215/B1</p>	<p>DRG. profile</p> <p>CHKD. JASHWANTH</p> <p>APPR. .</p> <p>SHEET 1 OF 1</p> <p>SCALE N. T. S. REV.- 0</p>	<p>SUDHIR SWITCHGEARS PVT. LTD.</p> <p>130, MULBARI SAMACHAR MARG, MULBARI - 400 023</p> <p>TITLE : FLAMEPROOF-WEATHERPROOF ENCLOSURE FOR JUNCTION BOX</p> <p>CHKD. CERT. No.</p> <p>IN/CIMFR/TR21/R/H123</p> <p>Dt. 08/07/2021</p>	<p>PESO No. :</p> <p>P548867/1</p> <p>Dt. 10/10/2022</p>	<p>BIS LICENCE No. :</p> <p>CM/L-0003331365</p>
REV.	DATE	DESCRIPTION	DRN.	CHD.	APPD.	SCALE



FRONT VIEW



SIDE VIEW

- Reference IS/IEC Standard as follows :
- 1 - FLAMEPROOF (Ex d) PROTECTION - IIA/IIb, IS/IEC 60079-1 (2014)
 - TEMPERATURE CLASS - T6
 - 2 - INGRESS (IP) PROTECTION - IP-66, IS/IEC 60529 (2001). (Reaffirmed 2014)

Standard Specification :

- 1 - MATERIAL - CAST ALUMINIUM ALLOY
- 2 - FINISH - INSIDE & OUTSIDE LIGHT GREY EPOXY POWDER COATING SHADE No. 631 AS PER IS-5
- 3 - EARTHING - 1 No. INSIDE & 2 Nos. OUTSIDE M6 SIZE S.S./BRASS SCREWS WITH 2 Nos. PLAIN WASHER
- 4 - HARDWARE - STAINLESS STEEL
- 5 - GASKET - 'O' RING NEOPRENE RUBBER GASKET
- 6 - MOUNTING ARRGT. - AS SHOWN IN DRG.

Material / Components Specification :

- 1 - S.S. NAME CUM WARNING PLATE (WITH DESCRIPTION TITLE, CIMFR, PESO, SR. NO., GAS GROUP, RATING, BIS MARKING, WARNING STATUS, etc...)
- 2 - INTERNAL SIZE OF ENCLOSURE (BODY+COVER) - 326 x 300 x 115mm
- 3 - M.S. PLATE WITH WHITE EPOXY POWDER COATING WILL BE PROVIDED OF SIZE : $\phi 270 \times 2\text{mm}$ Thk. (ENCLOSURE OPENING $\phi 290\text{mm}$)
- 4 - TERMINALS - CLIP-ON / BUSBAR TYPE TERMINALS OF 'CONNECTWELL/ ELMEX' MAKE (DETAIL TO BE SPECIFIED BY CUSTOMER)
- 5 - CABLE GLAND - (Ex d) DOUBLE COMPRESSION TYPE CABLE GLAND OF 'SUDHIR' MAKE
- 6 - STOPPING PLUG - (Ex d) STOPPING PLUG OF 'SUDHIR' MAKE

Fitting OPTIONS :

- 1) MATERIAL CONSTRUCTION : STAINLESS STEEL
- 2) VOLTAGE : 415V AC
- 3) CABLE GLAND & PLUG : BRASS/S.S./ALUMINIUM
- 4) PAINT SHADE : 632/356/7031/7032, etc... (As per Standard)
- 5) CANOPY : M.S. / G.I. / FRP
- 6) INTERNAL COMPONENTS : CU./AL. BUSBAR
- 7) AMP. RATING : UP TO 200 Amp. (MAX.)
- 8) CABLE ENTRIES : LEFT / RIGHT / TOP / BOTTOM SIDE
- 9) ENCLOSURE EXTERNAL SIZE : 351(W) x 326(H) x 145/185/235/285mm
- 10) ENCLOSURE INTERNAL SIZE : 326(W) x 300(H) x 115/155/205/255mm

NOTE :

COMPONENT LAYOUT IS TENTATIVE RELOCATION OF PARTS & COMPONENTS IS POSSIBLE AT THE TIME OF ACTUAL MANUFACTURING.

OVERALL DIMENSIONS ARE $\pm 10\text{mm}$

REV.	DATE	DESCRIPTION	DRN.	CHD.	APPD.	SCALE	CR. No.	MODEL No.	DRN.	CHD.	APPD.	SCALE	CR. No.	MODEL No.	DRN.	CHD.	APPD.	SCALE
△	RCP/215	RCP/215/B2	RCP/215	RCP/215/B2
△	DRN.	profill	DRN.	profill
△	CHD.	JASHAKH	CHD.	JASHAKH
△	APPD.	APPD.
△	SHEET	1	OF	1	.	.	SHEET	1	OF	1	.	.
△	N. T. S.	REV.-0	N. T. S.	REV.-0

SUDHIR SWITCHGEARS PVT. LTD.

130, MULBARI SAMACHAR MARG, MULBARI - 400 023

TITLE : **FLAMEPROOF-WEATHERPROOF ENCLOSURE FOR JUNCTION BOX**

CHDR. CERT. No.

IN/CIMFR/TR21/R/H123

Dt. 08/07/2021

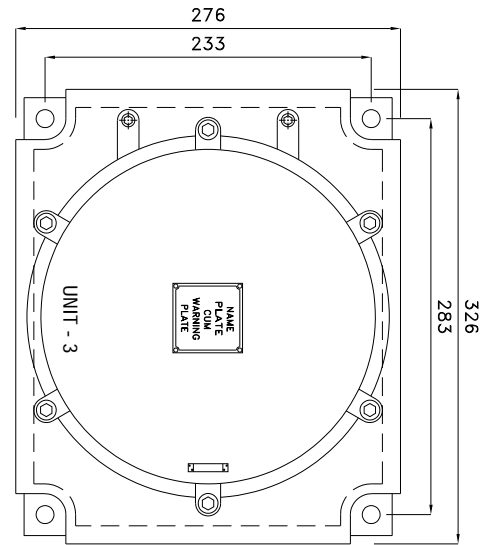
PESD No. :

P548867/1

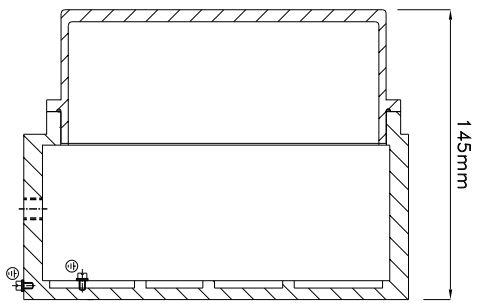
Dt. 10/10/2022

BIS LICENCE No. :

CM/L-000331365



FRONT VIEW



SIDE VIEW

- Reference IS/IEC Standard as follows :
- 1 - FLAMEPROOF (Ex d) PROTECTION - IIA/IIb, IS/IEC 60079-1 (2014)
 - TEMPERATURE CLASS - T6
 - 2 - INGRESS (IP) PROTECTION - IP-66, IS/IEC 60529 (2001). (Reaffirmed 2014)

Standard Specification :

- 1 - MATERIAL - CAST ALUMINIUM ALLOY
- 2 - FINISH - INSIDE & OUTSIDE LIGHT GREY EPOXY POWDER COATING SHADE No. 631 AS PER IS-5
- 3 - EARTHING - 1 No. INSIDE & 2 Nos. OUTSIDE M6 SIZE S.S./BRASS SCREWS WITH 2 Nos. PLAIN WASHER
- 4 - HARDWARE - STAINLESS STEEL
- 5 - GASKET - 'O' RING NEOPRENE RUBBER GASKET
- 6 - MOUNTING ARRGT. - AS SHOWN IN DRG.

Material / Components Specification :

- 1 - S.S. NAME CUM WARNING PLATE (WITH DESCRIPTION TITLE, CIMFR, PESO, SR. NO., GAS GROUP, RATING, BIS MARKING, WARNING STATUS, etc...)
- 2 - INTERNAL SIZE OF ENCLOSURE (BODY+COVER) - 300 x 250 x 115mm
- 3 - M.S. PLATE WITH WHITE EPOXY POWDER COATING WILL BE PROVIDED OF SIZE : $\phi 215 \times 2\text{mm Thk.}$ (ENCLOSURE OPENING $\phi 245\text{mm}$)
- 4 - TERMINALS - CLIP-ON / BUSBAR TYPE TERMINALS OF 'CONNECTWELL/ ELMEX' MAKE (DETAIL TO BE SPECIFIED BY CUSTOMER)
- 5 - CABLE GLAND - (Ex d) DOUBLE COMPRESSION TYPE CABLE GLAND OF 'SUDHIR' MAKE
- 6 - STOPPING PLUG - (Ex d) STOPPING PLUG OF 'SUDHIR' MAKE

Fitting OPTIONS :

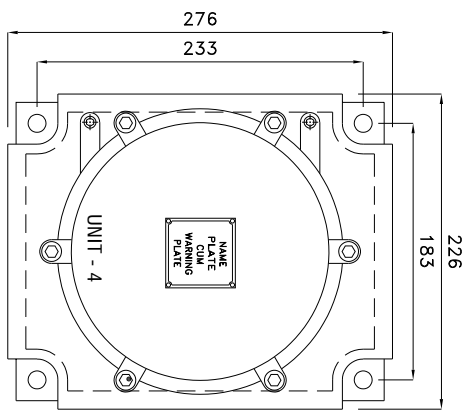
- 1) MATERIAL CONSTRUCTION : STAINLESS STEEL
- 2) VOLTAGE : 415V AC
- 3) CABLE GLAND & PLUG : BRASS/S.S./ALUMINIUM
- 4) PAINT SHADE : 632/355/7031/7032, etc... (As per Standard)
- 5) CANOPY : M.S. / G.I. / FRP
- 6) INTERNAL COMPONENTS : CU./AL. BUSBAR
- 7) AMP. RATING : UPTO 100 Amp. (MAX.)
- 8) CABLE ENTRIES : LEFT / RIGHT / TOP / BOTTOM SIDE
- 9) ENCLOSURE EXTERNAL SIZE : 326(W) x 276(H) x 145/185/235/285mm
- 10) ENCLOSURE INTERNAL SIZE : 300(W) x 250(H) x 115/155/205/255mm

NOTE :

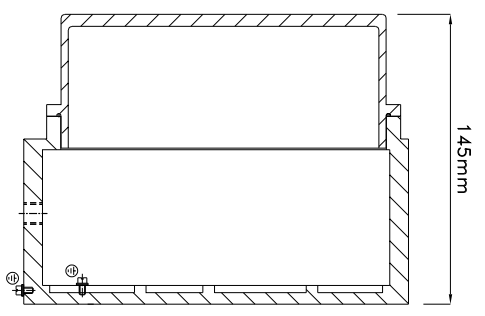
COMPONENT LAYOUT IS TENTATIVE RELOCATION OF PARTS & COMPONENTS IS POSSIBLE AT THE TIME OF ACTUAL MANUFACTURING.
OVERALL DIMENSIONS ARE $\pm 10\text{mm}$

REV.		DATE	DESCRIPTION	DRN.	CHNO.	APPO.	SCALE	CAT. No.	MODEL No.	DRN.	profill	CHKD.	JMSHW	CHKD.	JMSHW	CHKD. CERT. No.	PESO No. :	BIS LICENCE No. :	
RCP/215		RCP/215/B3																	
TITLE : FLAMEPROOF-WEATHERPROOF ENCLOSURE FOR JUNCTION BOX										SUDHIR SWITCHGEARS PVT. LTD.		130, MULBEN SAMACHER MARG, MULBEN - 400 023		IN/CIMFR/TR21/R/H123		P548867/1		CM/L-000331365	
Dt. 08/07/2021										Dt. 10/10/2022									

THIS DRAWING IS PROPERTY OF "SUDHIR SWITCHGEARS PVT. LTD." AND MUST BE RETURNED ON REQUEST IF IT IS SUBMITTED AS CONFIDENTIAL INFORMATION IN CONNECTION WITH ENQUIRY, TENDER, ORDER, OR CONTRACTS IT IS NOT TO BE USED FOR ANY OTHER PURPOSE OR ORDER NOR MAY IT RE-COPIED OR LENT WITHOUT OUR AUTHORITY IN WRITING.



FRONT VIEW



SIDE VIEW

- Reference IS/IEC Standard as follows :
- 1 - FLAMEPROOF (Ex d) PROTECTION - IIA/IIb, IS/IEC 60079-1 (2014)
 - TEMPERATURE CLASS - T6
 - 2 - INGRESS (IP) PROTECTION - IP-66, IS/IEC 60529 (2001). (Reaffirmed 2014)

Standard Specification :

- 1 - MATERIAL - CAST ALUMINIUM ALLOY
- 2 - FINISH - INSIDE & OUTSIDE LIGHT GREY EPOXY POWDER COATING SHADE No. 631 AS PER IS-5
- 3 - EARTHING - 1 No. INSIDE & 2 Nos. OUTSIDE M6 SIZE S.S./BRASS SCREWS WITH 2 Nos. PLAIN WASHER
- 4 - HARDWARE - STAINLESS STEEL
- 5 - GASKET - 'O' RING NEOPRENE RUBBER GASKET
- 6 - MOUNTING ARRGT. - AS SHOWN IN DRG.

Material / Components Specification :

- 1 - S.S. NAME CUM WARNING PLATE (WITH DESCRIPTION TITLE, CIMFR, PESO, SR. NO., GAS GROUP, RATING, BIS MARKING, WARNING STATUS, etc...)
- 2 - INTERNAL SIZE OF ENCLOSURE (BODY+COVER) - 250 x 200 x 115mm
- 3 - M.S. PLATE WITH WHITE EPOXY POWDER COATING WILL BE PROVIDED OF SIZE : ϕ 180 x 2mm Thk. (ENCLOSURE OPENING ϕ 185mm)
- 4 - TERMINALS - CLIP-ON / BUSBAR TYPE TERMINALS OF 'CONNECTWELL/ ELMEX' MAKE (DETAIL TO BE SPECIFIED BY CUSTOMER)
- 5 - CABLE GLAND - (Ex d) DOUBLE COMPRESSION TYPE CABLE GLAND OF 'SUDHIR' MAKE
- 6 - STOPPING PLUG - (Ex d) STOPPING PLUG OF 'SUDHIR' MAKE

Fitting OPTIONS :

- 1) MATERIAL CONSTRUCTION : STAINLESS STEEL
- 2) VOLTAGE : 415V AC
- 3) CABLE GLAND & PLUG : BRASS/S.S./ALUMINIUM
- 4) PAINT SHADE : 632/355/7031/7032, etc... (As per Standard)
- 5) CANOPY : M.S. / G.I. / FRP
- 6) INTERNAL COMPONENTS : CU./AL. BUSBAR
- 7) AMP. RATING : UP TO 100 Amp. (MAX.)
- 8) CABLE ENTRIES : LEFT / RIGHT / TOP / BOTTOM SIDE
- 9) ENCLOSURE EXTERNAL SIZE : 276(W) x 226(H) x 145/185/235/285mm
- 10) ENCLOSURE INTERNAL SIZE : 250(W) x 200(H) x 115/155/205/255mm

NOTE :

COMPONENT LAYOUT IS TENTATIVE RELOCATION OF PARTS & COMPONENTS IS POSSIBLE AT THE TIME OF ACTUAL MANUFACTURING.
OVERALL DIMENSIONS ARE \pm 10mm

REV.	DATE	DESCRIPTION	DRN.	CHD.	APPD.	SCALE	CR. No.	MODEL No.	DRN.	CHD.	APPD.	SCALE	CR. No.	MODEL No.	DRN.	CHD.	APPD.	SCALE
△	RCP/215	RCP/215/B4	RCP/215	RCP/215/B4
△	DRN.	profill	DRN.	profill
△	CHD.	JASHAKH	CHD.	JASHAKH
△	APPD.	APPD.
△	SHEET	1 OF 1	SHEET	1 OF 1
△	N. T. S.	REV.- 0	N. T. S.	REV.- 0

SUDHIR SWITCHGEARS PVT. LTD.
130, MULBARI SAMACHAR MARG, MULBARI - 400 023

TITLE : **FLAMEPROOF-WEATHERPROOF ENCLOSURE FOR JUNCTION BOX**

DR. CERT. No. : IN/CIMFR/TR21/R/H123
Dt. 08/07/2021
PESD No. : P548867/1
Dt. 10/10/2022
BIS LICENCE No. : CM/L-000331365

THIS DRAWING IS PROPERTY OF "SUDHIR SWITCHGEARS PVT. LTD." AND MUST BE RETURNED ON REQUEST IF IT IS SUBMITTED AS CONFIDENTIAL INFORMATION IN CONNECTION WITH ENQUIRY, TENDER, ORDER, OR CONTRACTS IT IS NOT TO BE USED FOR ANY OTHER PURPOSE OR ORDER NOR MAY IT RE-COPIED OR LENT WITHOUT OUR AUTHORITY IN WRITING.